



LUDRE YAZILIM

## STOROB-1 CH 10 CURRENT

### 1. TECHNICAL SPECIFICATIONS

- 0-10 A Current Setting
- 20 ms Standard Interrupt Time
- 20  $\mu$ s -15ms Output Width
- 24-40 V AC Supply
- 30-54 V DC Supply
- 3.3-32 V DC Trigger
- 0-50 Hz Trigger Frequency
- 6-36 V Çıkış Voltajı

### 2. DESCRIPTION

- The single-channel strobe device, which is offered to our customers in order to drive industrial LED lighting, is designed for intermittent use. Current adjustment can be made in two ways, coarse and fine. The "Ludre Led Lighting Driver", which can drive all led lighting up to 10 Amps, can be fed both AC and DC.

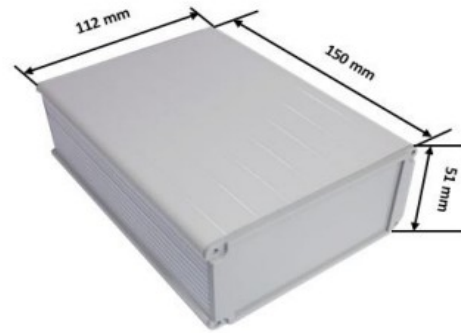
### 3. RANGE OF APPLICATION

- Machine Vision
- Image Processing
- Industrial Led Lighting Driver

DEVİVE NAME	DIMENSIONS
STOROB-1 CH 10 CURRENT	LENGTH: 15cm
	WIDTH: 11,2cm
	HEIGHT: 5,1cm



CİHAZ BİLGİLERİ

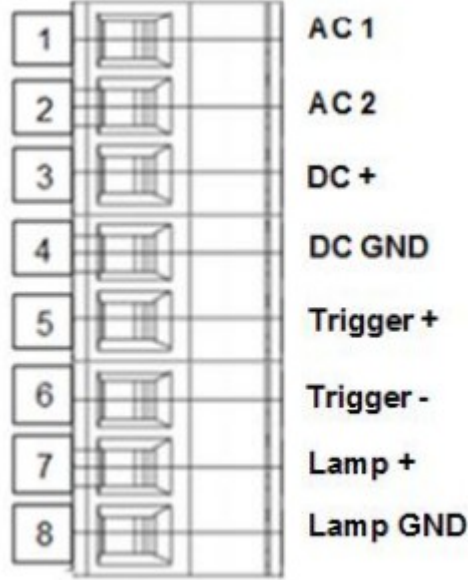




LUDRE YAZILIM

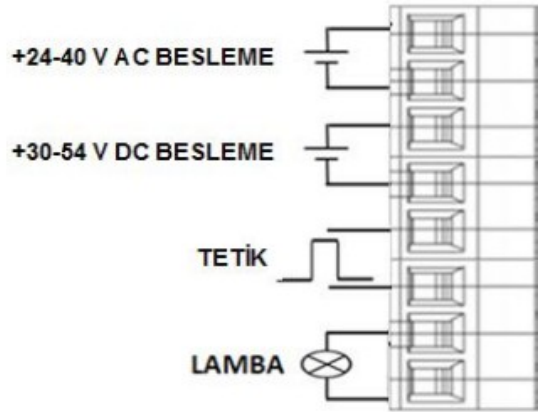
## STOROBE-1 CH 10 CURRENT

### 4. TERMINAL INPUT AND FUNCTIONS



### 5. OPERATION OF THE DEVICE

The necessary wiring diagram for the operation of the Strobe 1 Ch 10 Amp device is shown below. The strobe is operated with appropriate voltage and current values, taking into account the minimum, nominal and maximum ranges specified in Tables 2, 3 and 4. When the device is energized, firstly, only the green led lights up on the instrument panel, and the green led does not turn off as long as the device is energized. After the device is triggered from the trigger inputs, it gives output until it goes to cut (20 ms). After 20 ms, it goes off and the output is cut off. As long as the device gives output, the red led lights up and turns green after cutting.





LUDRE YAZILIM

## STOROB-1 CH 10 CURRENT

### 6.CORRECT AND FINE ADJUSTMENT OF STROBE OUTPUT CURRENT

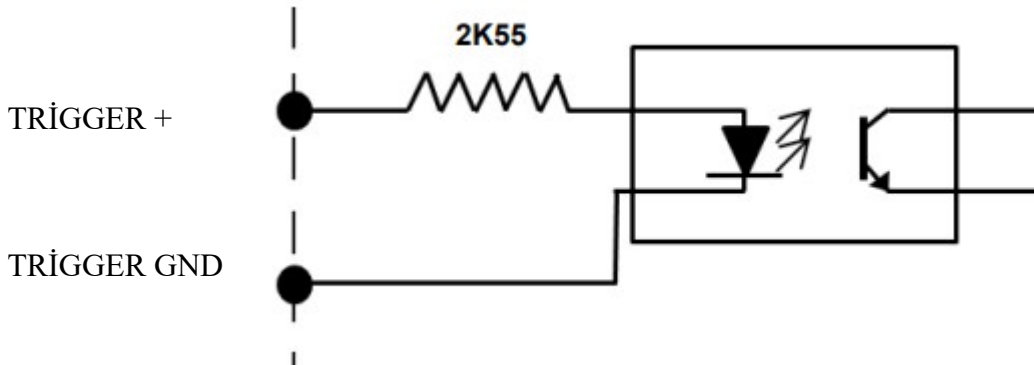
Strobe 1 Ch 10 Amp led lighting driver produces output current between 0-10 Amps. In addition, the device has two 3.5mm diameter holes, +10Amp and +1 Amp, which are shown in the figure below, to adjust the output current. Coarse and fine adjustment of the output current at the desired value is made through these two holes with the help of a screwdriver. The coarse adjustment of the output current is made through the hole marked +10 Amp on the left, and the fine adjustment is made through the hole marked +1 Amp on the right.



### 7.STROBE FEED INPUT OUTPUT PARAMETERS

	LEAST	NOMINAL	MOST
AC1 FEED	24V AC	36V AC	40V AC
AC2 FEED	24V AC	36V AC	40V AC
DC+FEED	30V DC	50V DC	54V DC
DC GND FEED	30V DC	50V DC	54V DC

### 8.TRIGGER FEATURES





LUDRE YAZILIM

## STOROBE-1 CH 10 CURRENT

### 9. TRIGGER AND LAMP INPUT OUTPUT PARAMETERS

TRIGGER INPUT TRIGGER + & TRIGGER -	LEAST	NOMINAL	MOST
Input Voltage	3,3 Volt DC	5 V DC	30 V DC
Current Drawn	0,862 mA.	1,52 mA.	11,33 mA.
DC + Supply	30 V DC	50 V DC	54 V DC
DC GND Supply	30 V DC	50 V DC	54 V DC

LAMP OUTPUT Lamp + & Lamp GND	LEAST	NOMINAL	MOST
Output Voltage	6 Volt DC	-	36 V DC
Output Current	0	-	
Output Width	6 $\mu$ s	-	15000 $\mu$ s